



WALLPACK, 70-175W HID

Class I, Div. 2, Groups A,B,C,D
Class I, Zone 2, Groups IIC, IIB, IIA
NEMA 4X

 Certified



Wall Pack Luminaires

FEATURES-SPECIFICATIONS

CERTITE®

Applications

KWP Wall Luminaires are ideally suited for applications requiring a pleasing aesthetic appearance or hazardous location suitability in a compact energy saving fixture. Units are of copper-free aluminum construction for cool operation with a bronze electrostatically applied powder-coat finish. Suitable for locations such as perimeter security lighting, parking areas, factories and parking garages.

Features

- Aluminum with Bronze finish 1/2" hub on either side for conduit entry
- Mogul Porcelain Socket
- Reflector is specular aluminum precision formed for optimal performance
- Suitability for 40°C ambient, 90°C supply wire required
- Lens thermal shock and impact resistant prismatic borosilicate glass
- Full front access available for lamp or ballast service by hinging front door
- Two Hubbell Guard® Corrosion resistant hex head fasteners provide water-tight seal for door gasket
- Options include: factory installed photo cells, fusing, instant restrike, ballast protector and lamps

Compliances

- UL 1598 Standard for Luminaires
- UL 844 Standard for lighting fixtures for hazardous locations
- CSA C22 no. 137-M1981 electric luminaires for use in hazardous locations
- Enclosed and gasketed
- NEMA 3, 4X

Catalog Logic

KWP	P	15	0	P1
1	2	3	4	5

1 **KWP - Series Constant** (Wallpack)

2 **Lamp Type**

S = High Pressure Sodium

H = Metal Halide

P = Metal Halide Pulse

3 **Wattage**

05 = 50 Watt HPS

07 = 70 Watt (HPS, MH)

10 = 100 Watt (HPS, MH)

15 = 150 Watt (HPS, MHP)

17 = 175 Watt (MH, MHP)

4 **Voltage**

0 = 120, 208, 240, 277V @ 60Hz (QUAD)

5 = 480 @60Hz

6 = 120, 277, 347 @ 60Hz (for Canada)

7 = 220 @ 60Hz

8 = 220/240V @ 50Hz

5 **Options**

FUSING - (Not for Canada or Marine applications)

F1 single 120V 60Hz F5 double 480V 60Hz

F2 double 208V 60Hz F6 single 347V 60Hz

F3 double 240V 60Hz F7 double 220V 60Hz

F4 single 277V 60Hz F8 single 230V 50Hz

Photocells (Factory installed)

P1 120V

P2 208-277V (field connection to correct ballast tap)

P3 347V

Other Options

IR Instant Restrike HPS to 150w - not available with BP

BP Ballast Protector HPS - Not available with IR

Terminal Blocks Assembly with Lamps

TBx x=1-8 AS Standard lamp

TBLx x=1-8 looping AD Dual-Arc-Tube (70-150 HPS)

See VM HID Ballast Table for current data



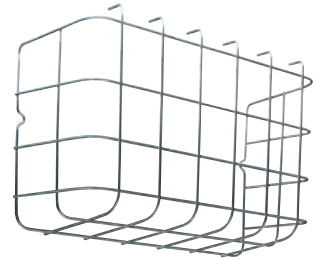
WALLPACK, 70-175W HID



Glare Shield



Clear Shield



Wire Guard

ORDERING INFORMATION

HPS, MH, MHP ORDERING INFORMATION*			
CATALOG NUMBER	LAMP TYPE	VOLTAGE ①	T-CODE AT 400 C
KWPS050	50 HPS S-68	QUAD 480	2150C (T2D)
KWPS070 KWPS075	70 HPS S-62	QUAD 480	2150C (T2D)
KWPS100 KWPS105	100 HPS S-54	QUAD 480	2150C (T2D)
KWPS150 KWPS155	150 HPS S-55	QUAD 480	2600C (T2B)
KWPH070 KWPH075	70 MH M-98	QUAD 480	2000C (T3)
KWPH100 KWPH105	100 MH M-90	QUAD 480	2000C (T3)
EXPORT ONLY KWPH170 KWPH175	175 MH M-57	QUAD 480	2600C (T2B)
EISA KWPP150 KWPP155	150 MHP M102/142	QUAD 480	2600C (T2B)
KWPP170 KWPP175	175 MHP M137/152	QUAD 480	2600C (T2B)

KWP ACCESSORIES	
CATALOG NUMBER	DESCRIPTION
PGPS	Clear Shield (Polycarbonate) for Protecting Lens
PGWG	Wire Guard, Cadmium Plated Steel
PVLV	Glare Shield Full Cutoff Visor - Formed Bronze Aluminum Forces light to Walkway
KWPLENS	Replacement Door and Lens

① For other voltages, see logic.

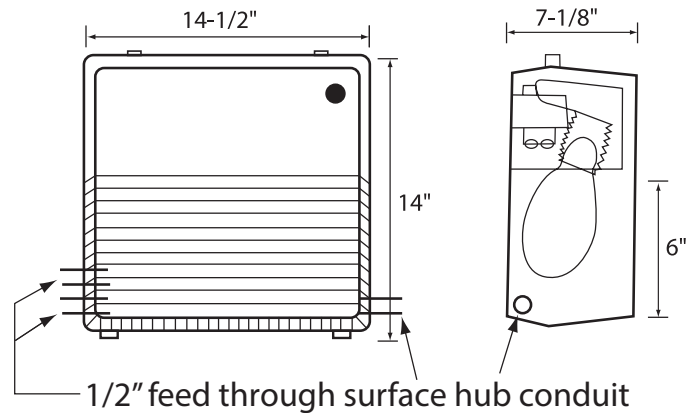


Photo Cell Field Kits for Harsh NEMA 4X and Class I, Div. 2 Locations*

PHOTO CELL FIELD KITS ①	
CATALOG NUMBER	VOLTS
VMFSPC1	120VAC
VMFSPC2	208-277VAC
VMFSPC3	347VAC



Order single gang FS back box separately.

Can be used to control several luminaires.

* 40°C ambient max. T3 to 400W max.

① Includes factory drilled FSBC cover and gasket.